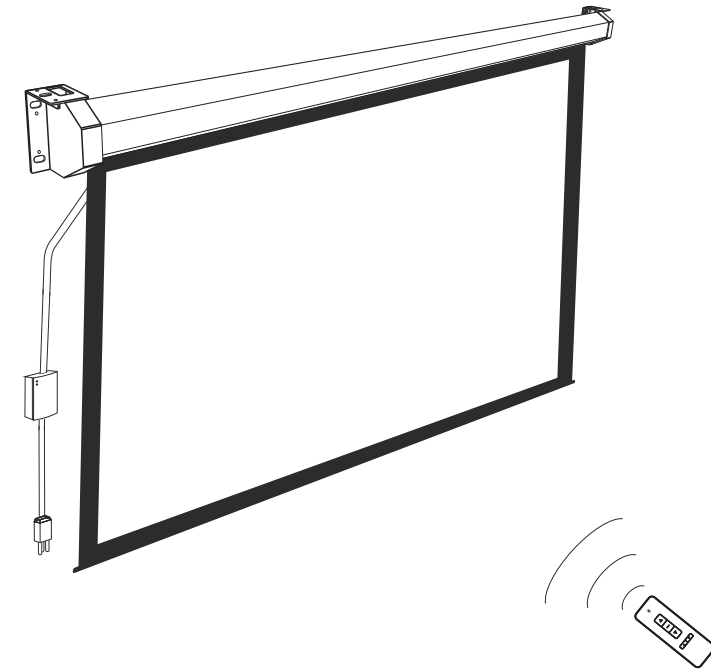


Installation Guide for Elegant Series Motorized Screen



Liberty Grandview®

AAV VISION
EQUIPMENTS (INDIA) (P) LTD.

Mktg. Off: 1-20-248, 2nd Floor, (Snowcem Paints Lane),
Rasoolpura, Secunderabad-500 003, A.P., INDIA,
Tel : +91(0)40-2781 5419 / 2781 4350 / 2789 0599 / 2781 8419 / 20 / 21
Fax : +91(0)40-2781 5399 (Off.) / 2781 4612 (Mktg)
Mobile: + 91- (0) 99590 24099 / 98490 24099
E-mail : sales@av-visionindia.co.in
Website : www.av-visionindia.co.in

Grandview Crystal Screen Canada Ltd.

#11- 3751 North Fraser Way,
Marine Way Business Centre,
Burnaby, BC, Canada V5J 5G4
Tel: 1-604-412-9777 Fax: 1-604-412-9796
Website: www.grandviewscreen.ca

Guangzhou Grandview Crystal Screen Co., Ltd.

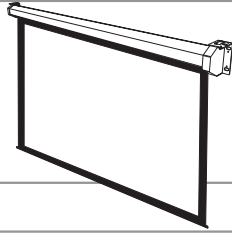
No.43 South International Trade Avenue, Hualong Town,
Panyu, Guangzhou, Guangdong, China
Tel: +8620-8489-9499 Fax: +8620-8480-3343
Website: www.grandviewscreen.com
www.grandviewscreen.com.cn



Thank you for purchasing a Grandview projection screen.
Before use, please read instructions carefully. After installation, store instructions for future reference.

Thank you for choosing Grandview

Grandview screens will reflect the most realistic images and can be used with a wide range of applications. The design is practical yet up to date, a simple choice for any professional or home theatre enthusiast.



Product Safety







To ensure your safety, please read "Product Manual and Warnings"

- The ceiling or wall used for fixture installation must be secure to prevent the screens from falling.
- While installing electrical motors, please hire professionals or your local dealer to ensure safety. A misconnection may lead to fire or leaks.
- Keep all infrared wireless products away from fluorescent lighting as it may cause malfunctions.
- Please read the following as any damage to the screen surface will affect the quality of the picture:
 1. Avoid contact or touching the screen surface as it may cause scratches or tears.
 2. Do not write or draw on the surface
 3. Clean the screen with a soft cloth and luke warm water. Do not use any detergent or cleaning products.
- Roll up the screen after every use. Ensure that the screen is level when installing; do not pull on the sides or fold the screen.
- To prevent unnecessary damage, the operating and maintenance of the screen should be done by adults.

Product Features

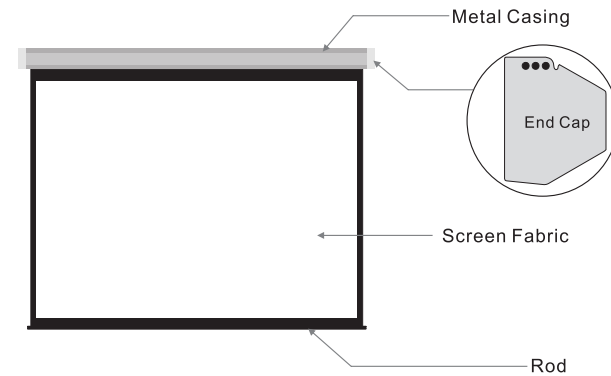
- Trendy and Elegant
The hexagon metal casing design is simple and stylish. The white cover is coated with PVC technology that enhances the feel and esthetics.
- Durability
This series uses thicker rolling rods that can withstand extra pressure from screens as big as 240 inches.
- Top-Quality Motor
Equipped with the world-renowned power motor. It is quiet, secure, and precise.
- Life-Size Realistic Experience
This series of screens comes in different sizes with models up to 240 inches. The life-size images are exceptional and realistic.
- Resolution
Originated in the U.S.A., the matte white and glass-beaded material provide different brightness and viewing ranges, flexible to suit every setting. The matte white allows a wider view range and soft colors, while the glass-beaded gives a brighter image with a higher resolution and contrast.
- Smooth Surface
Grandview's screens are made with American fiberglass materials, allowing only a 1% contraction, compared to a contraction of 33% on other screens. This allows the fiberglass screens to remain smooth, hold its shape, and last longer.
- Location
It is suited for various venues such as education facilities, home theatres, boardrooms, or other entertainment sites.

Warnings

 Ignoring the safety warnings may lead to injuries and/or damaging the product.	 Fixtures should be installed in a secure place to avoid accidents or the screen falling.
 Do not connect any electrical attachments or remote controls.	 Roll up the screen after every use. Leaving it hanging for a long period of time may cause the fabric to loosen.
 Please contact your local dealer for repairs or maintenance. Please contact our company if you have any further questions. Avoid taking apart the fixtures yourself. Loose parts may cause the screen to fall.	 Refrain from hanging anything on the screen as it may cause the screen to fall.

Do not take apart and replace with unknown parts. If there are any problems, please contact your local dealer. Product specifications are subject to change.

Description



Accessories

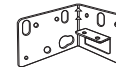
- $\phi 5$ Allen Key (1pcs)



- Instruction Manual (1pcs)

Optional

- C1 Mounting Bracket for screen sizes up to 150" (2pcs)



- C2 Mounting Bracket for screen sizes larger than 150" (2pcs)



- $\phi 10 \times 30$ mm screw and anchor (4 pcs)



- $\phi 5 \times 40$ mm Screw (8pcs)



Elegant Motorized Screen Power Specifications

Voltage (V)	Frequency (Hz)	Watts (W)	Application
230V/120V/100V	50Hz/60Hz	90W/80W	Applies up to 150" Elegant series
230V/120V/100V	50Hz/60Hz	160W/156W	Applies to 180" and up Elegant series

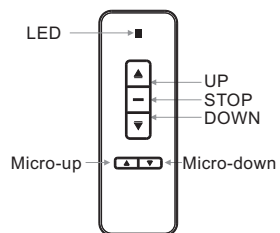
Specifications

Format	4:3							
Specification(in)	100	120	150	180	180	200	200	240
Matte White Gain	1.0	1.0	1.0	\	1.0	\	1.0	1.0
Glass Beaded Gain	2.5	2.5	2.5	2.5	\	2.5	\	\
Cap Specification	A2	A2	A2	A1	A2	A1	A2	A1
Part Number	C1	C1	C1	C2	C2	C2	C2	C2
Viewing Area W(mm)	2030	2338	3048	3620	3604	4020	4008	4878
Viewing Area W(in)	79-15/16	92-1/16	120	142-17/32	141-29/32	158-9/32	157-25/32	192-1/16
Viewing Area H(mm)	1520	1755	2286	2715	2715	3015	3015	3660
Viewing Area H(in)	59-27/32	69-3/32	90	106-7/8	106-7/8	118-11/16	118-11/16	144-3/32
L total length(mm)	2335	2643	3353	3931	3911	4313	4313	5169
L total length(in)	91-15/16	104-1/16	132	154-3/4	154	169-13/16	169-13/16	203-1/2
A1 size(mm)	1807	2042	2598	3027	3027	3327	3327	3972
A1 size(in)	71-1/16	80-5/16	102-7/32	119-3/32	119-3/32	130-29/32	131	156-3/8
A2 size(mm)	1811	2046	2602	3032	3034	3332	3334	3977
A2 size(in)	71-7/32	80-15/32	102-3/8	119-3/8	119-15/32	131-3/16	131-1/4	156-9/16
P1 size(mm)	2305	2613	3323	3933	3933	4335	4335	5139
P1 size(in)	90-3/4	102-7/8	130-27/32	154-27/32	154-27/32	170-21/32	170-21/32	202-11/32
P2 size(mm)	2380	2688	3398	4001	4001	4403	4403	5207
P2 size(in)	93-11/16	105-13/16	133-25/32	157-1/2	157-1/2	173-11/32	173-11/32	205
B1 size(mm)	50	50	50	50	50	50	50	50
B1 size(in)	1-31/32	1-31/32	1-31/32	1-31/32	1-31/32	1-31/32	1-31/32	1-31/32
B2 size(mm)	55	55	55	55	55	55	80	80
B2 size(in)	2-5/32	2-5/32	2-5/32	2-5/32	2-5/32	2-5/32	3-1/8	3-1/8
B3 size(mm)	80	80	80	80	80	80	80	80
B3 size(in)	3-1/8	3-1/8	3-1/8	3-1/8	3-1/8	3-1/8	3-1/8	3-1/8
Net Weight (kg)	17.2/18.1	19.2/20.4	24.3/26.2	31.2	28.4	34.9	31.5	38.6
Matte White/Glass Beaded								

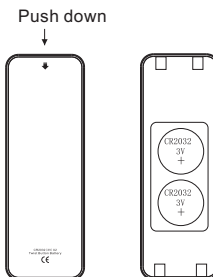
Format	16:9				1:1			
Specification(in)	92	100	106	120	84x84	96x96	120x120	144x144
Matte White Gain	1.0	1.0	1.0	1.0	1.0	1.0	1.0	1.0
Glass Beaded Gain	2.5	2.5	2.5	2.5	2.5	2.5	2.5	2.5
Cap Specification	A2	A2	A2	A2	A2	A2	A2	A1
Part Number	C1	C1	C1	C1	C1	C1	C2	C2
Viewing Area W(mm)	2030	2210	2340	2660	2030	2338	3048	3620
Viewing Area W(in)	79-15/16	87	92-1/8	104-23/32	79-15/16	92-1/16	120	142-17/32
Viewing Area H(mm)	1145	1245	1320	1500	2030	2338	3048	3620
Viewing Area H(in)	45-3/32	49	51-31/32	59-1/16	79-15/16	92-1/16	120	142-17/32
L total length(mm)	2203	2383	2513	2821	2203	2511	3221	3793
L total length(in)	88-1/8	93-3/4	99	111	88-1/8	98-7/8	126-3/4	149-3/8
A1 size(mm)	1807	1807	2042	2598	2317	2625	3360	3907
A1 size(in)	71-9/64	71-9/64	80-13/32	102-9/32	91-5/32	103-9/32	132-7/32	153-13/16
A2 size(mm)	2004	2004	2004	2004	2321	2629	3364	3977
A2 size(in)	78-29/32	78-29/32	78-29/32	78-29/32	91-5/16	103-7/16	132-3/8	156-19/32
P1 size(mm)	2305	2485	2615	2923	2305	2613	3323	3933
P1 size(in)	90-3/4	97-27/32	102-15/16	115-1/16	90-3/4	102-7/8	130-27/32	154-23/32
P2 size(mm)	2380	2560	2690	2998	2380	2688	3398	4008
P2 size(in)	93-11/16	100-25/32	105-29/32	118	93-11/16	105-13/16	133-25/32	157-25/32
B1 size(mm)	50	50	50	50	50	50	50	50
B1 size(in)	1-31/32	1-31/32	1-31/32	1-31/32	1-31/32	1-31/32	1-31/32	1-31/32
B2 size(mm)	55	55	55	80	55	55	55	80
B2 size(in)	2-5/32	2-5/32	2-5/32	3-1/8	2-5/32	2-5/32	2-5/32	3-1/8
B3 size(mm)	650	550	470	270	80	80	80	80
B3 size(in)	25-19/32	21-21/32	18-1/2	10-5/8	3-1/8	3-1/8	3-1/8	3-1/8
Net Weight (kg)	16.8/17.5	18.0/18.7	18.8/19.7	20.8/21.9	17.7/18.8	19.9/21.4	25.3/27.9	29.9/33.5
Matte White/Glass Beaded								

Sizes and specifications are subject to change at anytime. [The tolerance for L is about ± 5mm(3/16in)]

Instructions



Model:AC127



Button Function and Operation Instruction :

1. Press UP button to lift the screen
2. Press STOP button to stop the screen
3. Press DOWN button to lower the screen
4. Press MICRO-UP button to retract the screen in small increments (150ms for each movement)
5. Press MICRO-DOWN button to lower the screen in small increments (150ms for each movement)

Cautions:

1. The minimum distance between Controller and Receiver: 50cm
2. Workable within 8m in horizontal direction from the Receiver to the Controller
3. Do not cover the Controller's launching port while operation
4. Strictly ban operation in wet or high temperature environment.
5. Replacing batteries when the signal is faint or no signal.
6. Batteries for the Controller: 2 units CR2032 button cells.

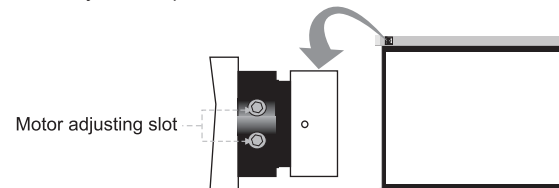
Batteries Installation Instruction:

When the signal of the Controller is faint, please replace the batteries as follow steps:

1. Reverse Controller to the back, push down as the arrow mark to open the cover.
2. Install two cells of battery and set the direction of positive and negative electrode just like the chart shows.
3. Close the battery cover.

Attention:

- > Please make sure there is no dust or dirt on the fabric surface before rolling it back to the casing
- > The recommended working time is less than 50 seconds. The motor will enter overheating protection status and stop working for every continuous 4 minutes operation, user would need to wait for a while until the motor cool down before operating again.
- > There is no lube needed for the motor. Please be noticed that the appropriate setting is optimized which requires no further adjustment, please consult the after sales team before adjusting the limits.



Bracket Installation

To ensure extra durability and safety installation brackets have been included. The necessity of brackets will vary depending on the location of installation. For installations of sizes up to 150", use the C1 bracket. For installations of over 150", use C2.

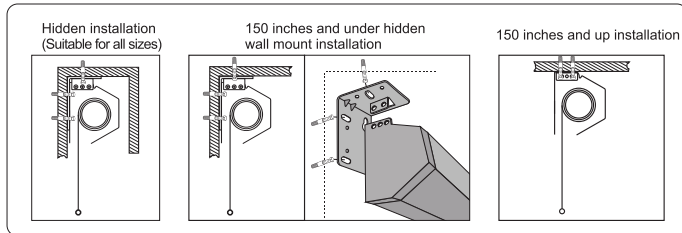
Installation For Sizes Up to 150"

The screen can be installed either on the wall or with a hidden installation. The wall installation uses 2 holes on the C1 brackets while the hidden installation uses all 3. Measure the distance between the holes that will be used on the left and right brackets. Using the measured distance, drill the appropriate holes in the wall (and ceiling if necessary). Install the brackets, then lift and match up the screen's end caps to the brackets. Insert the two screws to join the bracket and screen casing for both sides.

Installation For Sizes Over 150"

Using the C2 brackets, the screen can be installed from the ceiling. Measure the distance between the holes on the left and right brackets. Using the measured distance, drill the appropriate holes in the ceiling. Install the brackets, then lift and match up the screen's end caps to the brackets. Insert the screws to join the bracket and screen casing for both sides.

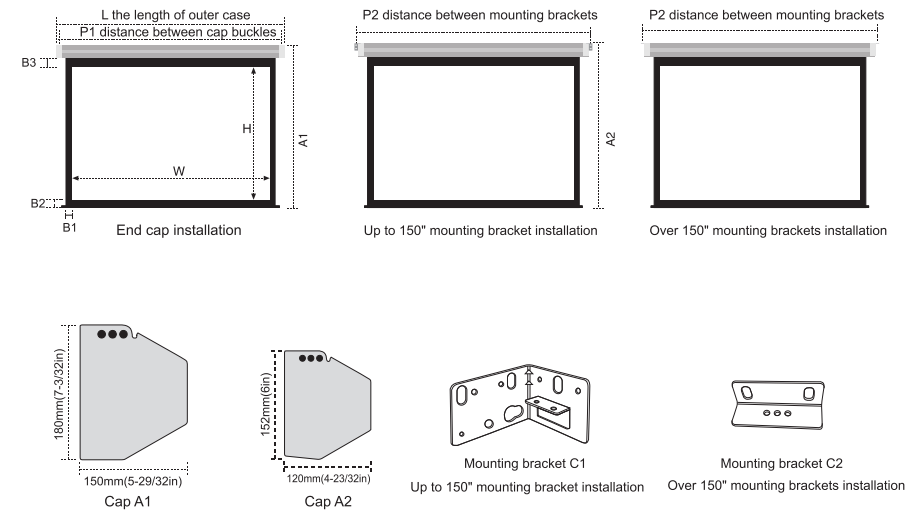
With mounting bracket installation(Optional)



Screen packaging specifications

Format	4:3			
Specification(in)	100	120	150	180
Packaging LxWxH(mm)	2754x202x165	3062x202x165	3772x202x165	4350x242x177
Packaging LxWxH(in)	108-7/16x7-31/32x6-1/2	120-35/64x7-31/32x6-1/2	132-3/4x7-31/32x6-1/2	171-17/64x9-17/32x6-31/32
Specification(in)	180	200	200	240
Packaging LxWxH(mm)	4330x202x165	4732x242x177	4732x202x165	5588x242x177
Packaging LxWxH(in)	170-15/32x7-31/32x6-1/2	186-7/32x9-17/32x6-31/32	186-7/32x7-31/32x6-1/2	220x9-17/32x6-31/32
Format	16:9			
Specification(in)	92	100	106	120
Packaging LxWxH(mm)	2754x202x165	2934x202x165	3064x202x165	3372x202x165
Packaging LxWxH(in)	108-7/16x7-31/32x6-1/2	115-1/2x7-31/32x6-1/2	120-41/64x7-31/32x6-1/2	132-3/4x7-31/32x6-1/2
Format	1:1			
Specification(in)	84x84	96x96	120x120	144x144
Packaging LxWxH(mm)	2754x202x165	3062x202x165	3772x202x165	4330x242x177
Packaging LxWxH(in)	108-7/16x7-31/32x6-1/2	120-35/64x7-31/32x6-1/2	132-3/4x7-31/32x6-1/2	170-15/32x9-17/32x6-31/32

Sizes and specifications are subject to change at anytime. [The tolerance for L is about ± 5mm(3/16in)]



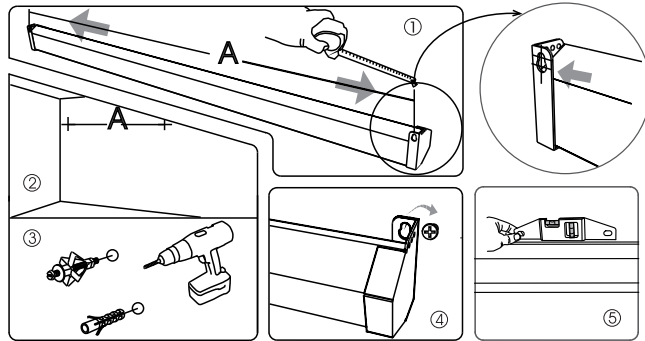
Installation

This projection screen should be installed at the best possible viewing position for the audience. Take out all the parts from the packaging and follow the accessories guideline to ensure you have all parts. The parts needed will vary depending on which installation you choose to use. For installation on a wood wall or ceiling, use the $\phi 5 \times 60$ screws. For installation on a drywall, use the $\phi 10 \times 30$ screws with anchors.

Installation without bracket

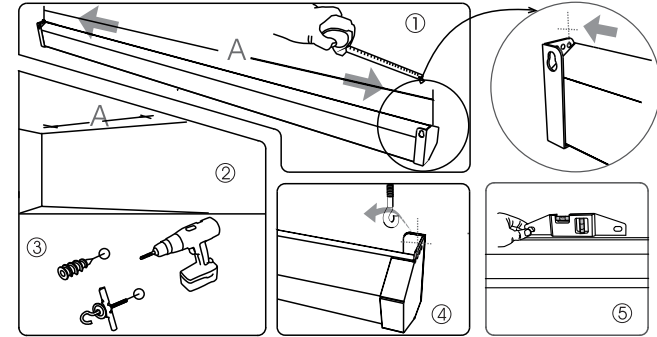
Wall Mount

Using a tape measure, measure the distance between the two keyholes on the casing. (Figure 1). According to the measurement, use the drill to drill identical holes of the appropriate size (use a smaller drill bit than the actual screws) on the wall and ensure that it is level (Figure 2 and 3). Screw in the appropriate screws, either the $\phi 5 \times 60$ for wood walls or the $\phi 10 \times 30$ plus anchors for drywalls, leaving enough space at the end to hang the casing (Figure 4). To ensure that the screen is level, use a leveler to check (Figure 5).



Ceiling Mount

Using a tape measure, measure the distance between the two rings for hanging on the casing. (Figure 1). According to the measurement, use the drill to drill identical holes of the appropriate size (use a smaller drill bit than the actual hook screws) on the ceiling and ensure that it is level (Figure 2 and 3). Screw in the hook screws (not provided), and lift the screen into the hooks screws to hang (Figure 4). To ensure that the screen is level, use a leveler to check (Figure 5).



Without mounting bracket installation

